

Picture Light

We choose art or a picture for the love of a piece or to adorn a wall. Specialty believes these works should be shown in the best light possible. The high CRI light source renders the items true while eliminating UV helping the piece maintain its original state. Featuring a multitude of material and finishes, our elegant fixtures are made of tubular extrusions with welded and finished end caps, allowing the fixture to blend with the beauty and refinement of the piece.

PROJECT:

TYPE:

SPECIFIER:

DATE:

Key Points (303)

Housing

- Extruded brass or Aluminum in brushed or polished finish
- Welded end plates with inset swivel or end swivel
- Specifiable wall projections + lengths, as needed per job
- Polished, satin, or antique finish + custom, RAL colors available

Source/Optics

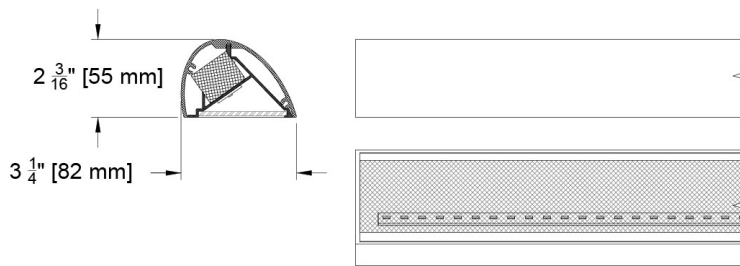
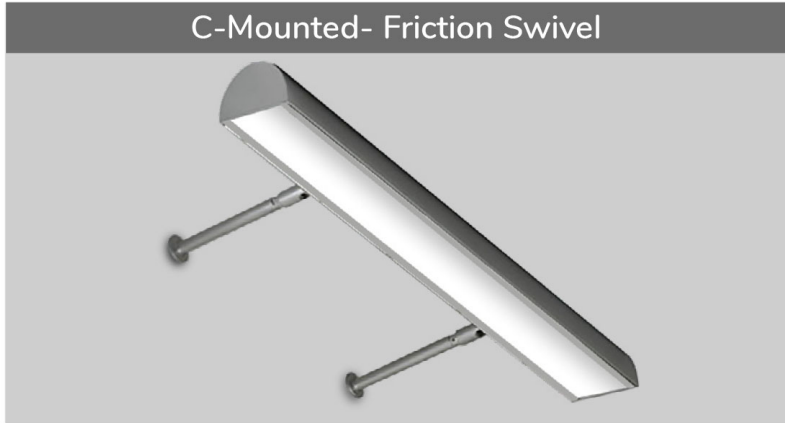
- 10w with up to 741 lumens, per foot*
- 90 + CRI
- 2700K, 3000K, 3500K, 4000K
- L80>38,000 hours at 40C ambient

Driver

- Universal 120-277v
- Integral, dimmable, electronic 0-10v or ELV phase
- Flicker free to IEEE 1789-2015 available

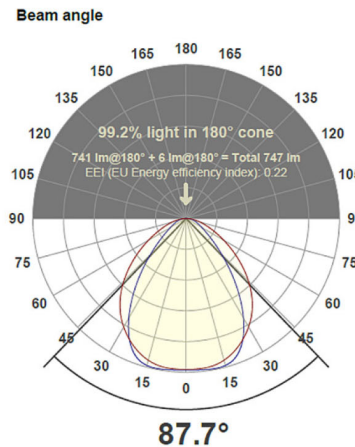
Labels

- US tested to UL standards



PL303- 3" Picture Light					
Source	CCT	System watts (W/ft)	Delivered Lumens (Lm/ft)	Lumens/Watt	Peak (cd)
F10	2700	10	711	71	356
F10	3000	10	741	74	363
F10	3500	10	756	76	378
F10	4000	10	771	77	386

Measurements based on 3000K CCT



303 - 3" Picture Light (75 mm)

Asymmetrical linear picture light

Ordering Codes

PROJECT:








SPECIFIER:

DATE:

TYPE:

QUANTITY:

Ordering Code Example: 303-B-3-9-EF-F10-27-SY2-B03

FIXTURE	MOUNTING	LENGTH	ARM PROJECTION	CONFIGURATION	SOURCE / WATTS	CCT	DRIVER / CONTROL	TRIM FINISH
303								
Picture Light 303	<p>A Wall Bracket</p> <p>B J-Box</p> <p>C Through panel</p>	-- Specify length in 1" (25 mm) increments 2' (600 mm) Minimum	<p>3 3 inches</p> <p>6 6 inches</p> <p>9 9 inches</p> <p>12 12 inches</p> <p>XX Custom projection available</p>	<p>IL Inset swivel, locking set</p> <p>EF End swivel, friction set</p>	<p>F10 10W 741Lm 90+CRI, 60+R9 per foot</p>	<p>27 2700K</p> <p>30 3000K</p> <p>35 3500K</p> <p>40 4000K</p>	<p>SY1 0-10 1.0%, UNV (120-277V) linear</p> <p>SY2 0-10 1.0%, UNV (120-277V) log</p> <p>C2 ELV/Triac 1.0%, (120V) linear</p> <p>E1 0-10 0.1%, UNV (120-277V) log</p> <p>E2 DALI-2 0.1%, UNV (120-277V) log</p> <p>E3 0-10 0.1%, UNV (120-277V) linear</p> <p>Lutron</p> <p>LD Digital Ecosystem* 1.0%, UNV (120-277V) ECO Hi-Lume SoftOn/Fade-to- Black LDE1</p> <p>* Requires remote driver</p>	<p>B Black Paint</p>  <p>W White Paint</p>  <p>L07 Satin aluminum</p>  <p>C Custom/RAL Color*</p>  <p>LXX Finishes on aluminum*</p> <p>L01-L08</p>  <p>PXX Specialty Paint Color*</p> <p>P01-P15</p>  <p>* Refer to Finish Guide</p> 

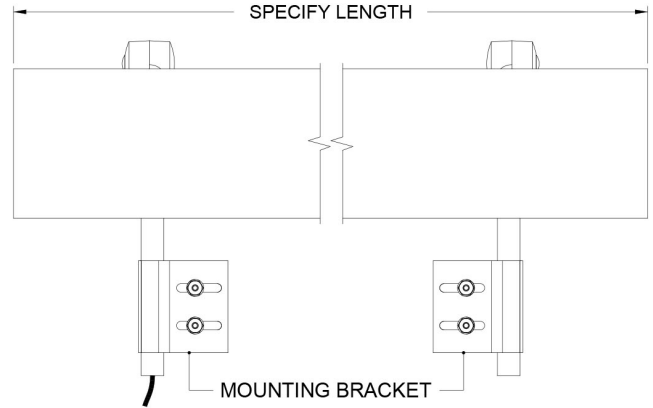
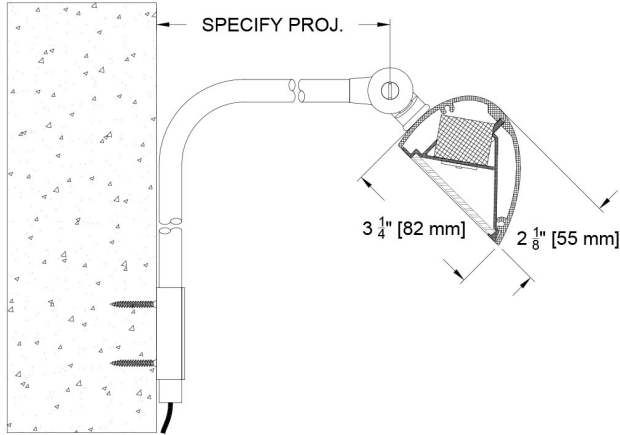
Ceiling Cutouts and Dimensions

Inset arms location

Picture Light

A - Mount with Friction Swivel

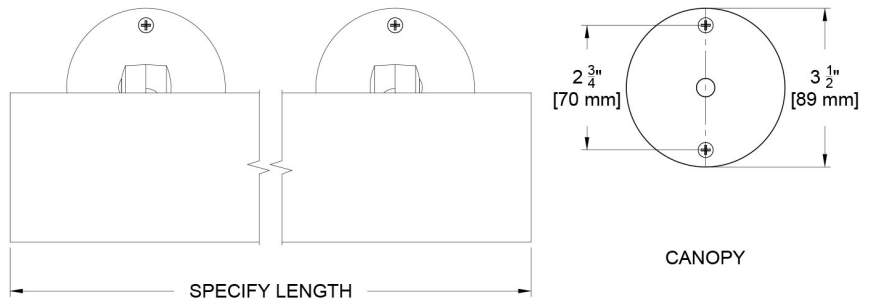
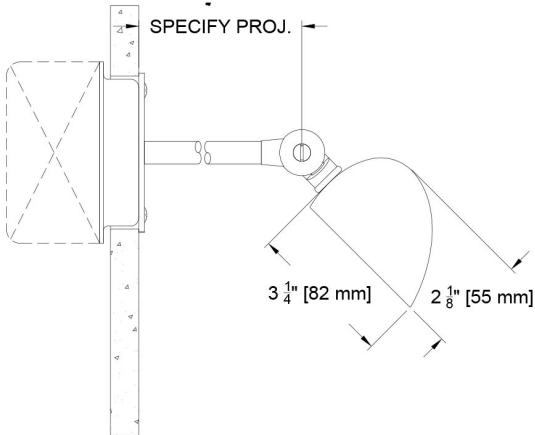
(PL303-F10-_9-27-C1-B)



Picture Light

B - Mount with Friction Swivel

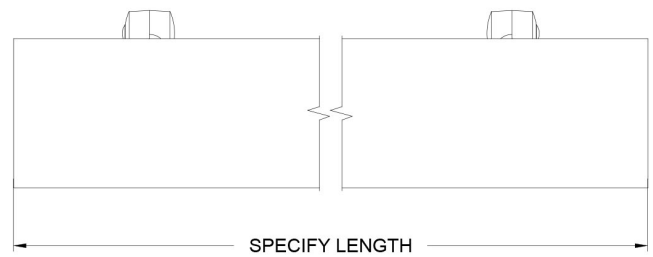
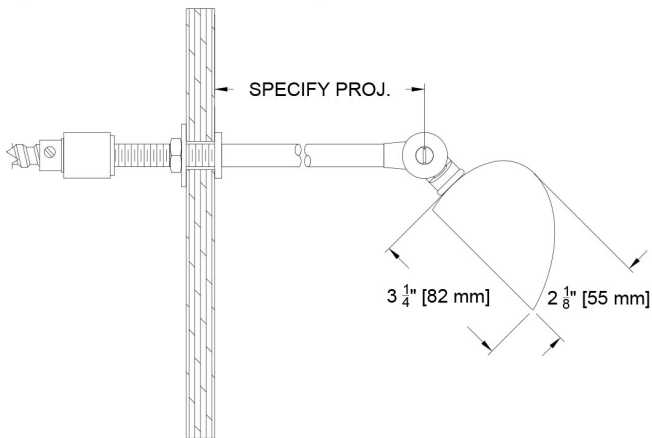
(PL303-F10-_3-30-C1-C)



Picture Light

C - Mount with Friction Swivel

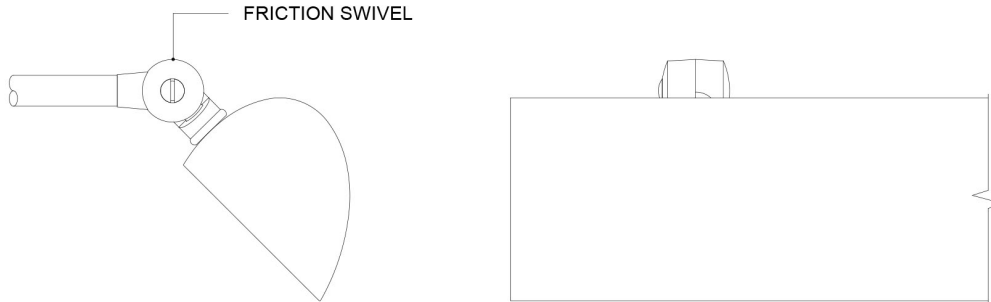
(PL303-F10-_3-30-C1-E)



Ceiling Cutouts and Dimensions

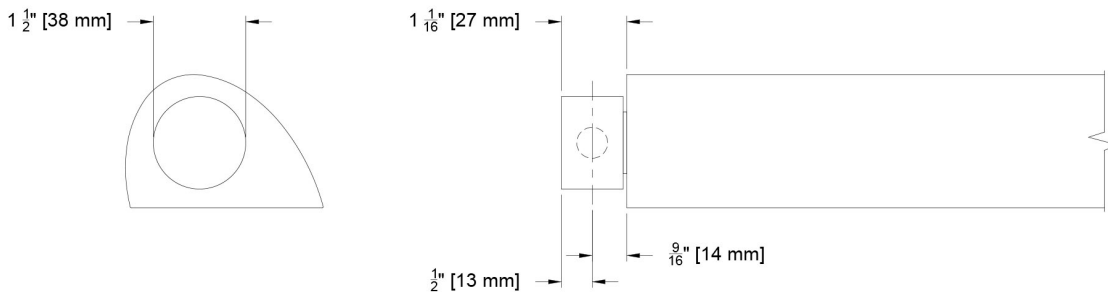
Picture Light Detail Friction Swivel (E)

(PL303-F10-_-3-30-C1-E)



Picture Light Detail End Swivel (E)

(PL303-F10-_-3-30-C1-E)



Color Data Picture Light 303

All data below are delivered lumens. Color and flux information based on goniometer measurements of production representative product. All values can vary +/-10% from LED manufacturer rated nominal data as listed on their datasheet.

F10 Linear Array

- <3 MacAdam Ellipse (<3 SDCM)
- 90+ CRI and RF
- 70+R9

PL303- 3" Picture light					
Source	CCT	System watts (W/ft)	Delivered Lumens (Lm/ft)	Lumens/ Watt	Peak (cd)
F10	2700	10	711	71	348
F10	3000	10	741	74	363
F10	3500	10	756	76	370
F10	4000	10	771	77	378

Measurements based on 3000K CCT

